

**DIN**

# TUBES & FITTINGS



The environment, health and safety are critical topics in today's society and in order to protect and provide confidence to the life sciences, food and beverage consumers, a high level of professional knowledge and competence is required. With decades of experience in designing and manufacturing hygienic products, NOXTING has created and introduced the 'Ultra' sanitary product line with optimized and improved fluid processing as well as enhanced CIP cleaning capabilities specifically focussing on our clients product safety.

Our products are certified in accordance with all relevant and latest edition industry standards, such as ASME BPE, EN, BS, ANSI, DIN, 3A, ISO and many others. We use only the highest quality imported stainless steel with special emphasis on ferrite levels and corrosion resistance, in accordance with BS EN ISO 9001:2000

We use original sealing materials, such as EPDM, PTFE, TFM and various other polymers, supplied from top brand European manufacturers.

NOXTING is able to supply a wide and varied range of products in accordance with the following standards: DIN, ISO, BS and ASME BPE, plus we can provide products conforming to various other standards on demand and as required.



Generally, clamp Liners, blanks and adapters are produced by CNC turning from stainless steel bar in AISI 316L 1.4404 material. The material conforms typically to ASTM A182 and A276 and for special situations requiring boiler grade material, these are produced from ASTM A479. The certification also references the NACE MR0175-03 standard in most cases. Generally low sulphur grades of stainless steel are used for good welding characteristics. Our standard range of clamp fittings cover sizes from 4 mm to 12" (300mm) and encompasses the following internationally recognised standards.

## Standards

- ASME BPE-2002
- BS 4825 Part 3 / ISO 2037
- DIN 32676
- DIN 11864-3
- 3A Standard
- ISO 2852 and SMS 3017
- SMS 3008
- ISO 1127 Schedule Pipe Size
- BS 6362 Schedule Pipe Size
- ASTM A312 Schedule Pipe

## Materials

A wide range of non-standard material is also available for the Liner, adapters and blanks, in addition to the standard AISI 316L stainless steel. These include:

- AISI 316Ti Wn 1.4571
- AISI 316L (BN-2) Wn 1.4435 with low ferrite
- 6Mo materials & AL6-XN, 904L & 254 SMO
- Duplex alloys including SAF2507 UNS 32750
- Hastelloy C22 and C276
- Nickel Alloys such as Monel 400
- Titanium
- Nylon, ABS and Polypropylene Aluminium
- Aluminium

## Surface Finish

The standard internal surface finish for our clamp Liner is 0.8 - 1.0  $\mu\text{m}$  Ra, with enhanced finishes of 0.38  $\mu\text{m}$  Ra or better available on request. Electro-polishing is also available to order.

## Certification

Material traceability is available with EN 10204 3.1 certificates on all clamp Liners and blanks, while a certificate of conformity is offered for the clamps and seals.

## Compatibility

Where the environment is deemed aggressive to either the seal or the clamp union, please provide details of the media and operating conditions including pressure and temperature. Our technical department will assist you in the selection of the most appropriate material and clamp system. See our technical information document for selection data relating to stainless steel and sealing materials.

## High purity raw materials

The product made of imported stainless steel with high purity ASTM 316L, BS EN ISO 9001:2000.

Element	C	Si	Mn	P	S	Cr	Ni	Mo
%	≤0.030	≤1.00	≤2.00	≤0.035	0.005 - 0.017	16.0 - 18.0	10.0-14.0	2.0-3.0

## Product standard

UNS	Seamless pipe and Welding pipe	Forge Piece
S31603	ASTM A270 ASTM A270M	ASTM A743 EN 1.4409

## Surface finishing

The original MP and EP surface treatment technology, inner surface roughness of BPE series from a 0.5 μm to Ra 0.375μm, outer surface roughness of BPE series always Ra 0.8 μm. The minimum value of electrolytic polishing can reach Ra 0.12.

Polishing Code	The inner surface (ID)			The outer surface (OD)			ASME BPE Surface processing code
	The maximum surface cleanliness Ra		Polishing method	The maximum surface cleanliness Ra		Polishing method	
	μ-in	μ-m		μ-in	μ-m		
HG	20	0.5	Mechanically Polished-MP	32	0.8	Mechanically Polished-MP	SF1
4G	15	0.375	Mechanically Polished-MP & Electro-polished-EP	32	0.8	Mechanically Polished-MP	SF4

## CODING / not all codec combinations are available /

Code	A	1	3	2	2	0	0	8	0	0	0	2	4	2	
Position	1	2	2	3	4	5	5	5	6	6	6	7	8	9	
Position 1 > Product	A	Components				B	Valve				C	Spare parts			
Position 2 > Type	0 0	Pipe				1 0	Clamp 13MHH3				2 0	Flange			
	0 1	Bend 90°				1 1	Clamp TC				2 1	Tank Flange NA			
	0 2	Bend 45°				1 2	Clamp 13MHP				2 2	Cross			
	0 3	Tee				1 3	Clamp Ferrule				2 3	O-ring			
	0 4	Tee reducer				1 4	Blind Clamp				2 4	Union			
	0 5	Cocentric reducer				1 5	U Bend								
	0 6	Excentric reducer				1 6	Liner								
	0 7	Seal clamp				1 7	Male								
	0 8	Clamp 13MHH-O				1 8	Nut								
	0 9	Clamp 13MHH-T				1 9	Nut Blind								
Position 3 > Design	X	Desing 0 - 9													
Position 4 > Standard	0	Not identification				3	ISO								
	1	DIN				4	3A								
	2	ASEM BPE													
Position 5 and 6 > Dimension															

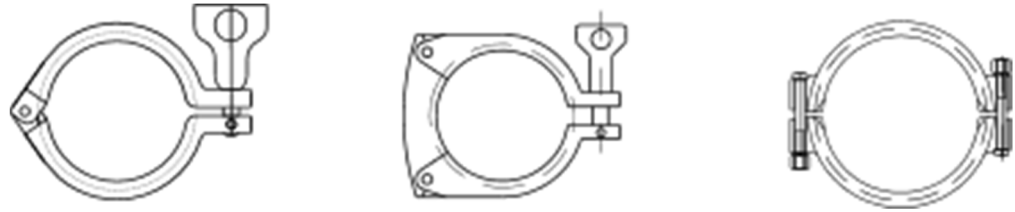
	DIN	ASME, 3A	ISO
0 0 8	8	0 0 8	1/4"
0 1 0	10	0 1 0	3/8"
0 1 5	15	0 1 5	1/2"
0 2 0	20	0 2 0	3/4"
0 2 5	25	0 2 5	1"
0 3 2	32	0 3 2	1 1/4"
0 4 0	40	0 4 0	1 1/2"
0 5 0	50	0 5 0	2"
0 6 5	65	0 6 5	2 1/2"
0 8 0	80	0 8 0	3"
1 0 0	100	1 0 0	4"
1 2 5	125		
1 5 0	150	1 5 0	6"
2 0 0	200		

Position 7 > Material	1	AISI 304	
	2	AISI 316 L	
	3	ISO.4487	
Position 8 > Finisch	1	SF4	4
	2	SF1	5
	3	0,2	0
Position 9 > Polishing	0	Without	
	1	Mechanically	
	2	Electropolish	

## Size range of finished sanitary tubes

ISO			3A			DIN 11 850 Series 2			DIN 11 850 Series 1			DIN 11850			ASME BPE			BS			GB			
NOM. Size	OD	T	NOM. Size	OD	T	NOM. Size	OD	T	NOM. Size	OD	T	NOM. Size	OD	T	NOM. Size	OD	T	NOM. Size	OD	T	NOM. Size	OD	T	
															1/4"	6.35	0.89							
						DN 10	13	1.5	DN 10	12	1.0	DN 10	12	1.5	3/8"	9.53	0.89							
			1/2"	12.7	1.65	DN 15	19	1.5	DN 15	18	1.0	DN 15	18	1.5	1/2"	12.7	1.65	1/2"	12.7	1.6	1/2"	12.7	1.5	
			3/4"	19.1	1.65	DN 20	23	1.5	DN 20	22	1.0	DN 20	22	1.5	3/4"	19.1	1.65	3/4"	19.1	1.6	3/4"	19.1	1.5	
25	25.0	1.2	1"	25.4	1.65	DN 25	29	1.5	DN 25	28	1.0	DN 25	28	1.5	1"	25.4	1.65	1"	25.4	1.6	1"	25.4	1.5	
32	31.8	1.2				DN 32	35	1.5	DN 32	34	1.0	DN 32	34	1.5							1 1/4"	31.8	1.5	
38	38.0	1.2	1 1/2"	38.1	1.65										1 1/2"	38.1	1.65	1 1/2"	38.1	1.6	1 1/2"	38.1	1.5	
						DN 40	41	1.5	DN 40	40	1.0	DN 40	40	1.5										
51	51.0	1.2	2"	50.8	1.65	DN 50	53	1.5	DN 50	52	1.0	DN 50	52	1.5	2"	50.8	1.65	2"	50.8	1.6	2"	50.8	1.5	
63	63.5	1.6	2 1/2"	63.5	1.65										2 1/2"	63.5	1.65	2 1/2"	63.5	1.6	2 1/2"	63.5	1.5	
						DN 65	70	2													2 1/2"	63.5	2	
76	76.1	1.6	3"	76.2	1.65										3"	76.2	1.65	3"	76.2	1.6	3"	76.2	1.5	
						DN 80	85	2																
																						3 1/2"	88.9	2
101	101.6	2	4"	101.6	2.11	DN 100	104	2							4"	101.6	2.11	4"	101.6	2	4"	101.6	2	
104	104.0	2				DN 125	129	2														4 1/2"	114.3	2
																					5"	129	2	
129	129.0	2	6"	152.4	2.77	DN 150	154	2							6"	152.4	2.77	6"	154	2	6"	154	2	
204	204.0	2	8"	203.2	2.77	DN 200	204	2													8"	204	2	
																					10"	254	2	

## Hygienic Clamp: Rated Internal Working Pressure

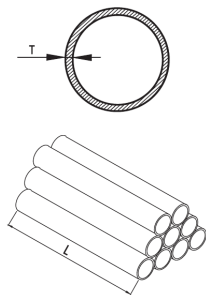


Nom.Size	13MHH Clamp				13MHH3 Clamp				13MHP Clamp			
	70°F / 21°C		250°F / 121°C		70°F / 21°C		250°F / 121°C		70°F / 21°C		250°F / 121°C	
	PSI	bar	PSI	bar	PSI	bar	PSI	bar	PSI	bar	PSI	bar
1/2" & 3/4"	1500	103	1200	83					1500	103	1200	83
1" & 1 1/2"	500	34	250	17	600	41	300	21	1500	103	1200	83
2"	450	31	250	17	550	38	275	19	1000	69	800	55
2 1/2 "	400	28	200	14	450	31	225	16	1000	69	800	55
3"	350	24	150	10	350	24	160	11	1000	69	800	55
4"	200	14	125	9	250	17	150	10	1000	69	800	55
5 "	175	12	100	7								
6 "	150	10	75	5								
8 "	100	7	50	3								
10 "	40	3	30	2								

## Material features of the union ring seal

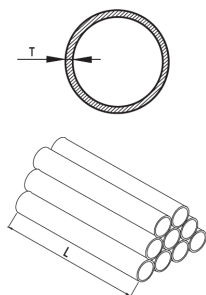
	EPDM	NBR	Viton	Silicone	Teflon
Temperature Range	-48 ÷ 135°C -55 ÷ 275°F	-40 ÷ 120°C -40 ÷ 248°F	-29 ÷ 204°C -20 ÷ 400°F	-62 ÷ 232°C -80 ÷ 450°F	-40 ÷ 232°C -40 ÷ 450°F
Acid Resistance	Good-Excellent	Good	Good	Good	Good-Excellent
Alkali Resistance	Good -Excellent	Good	Poor-Good	Poor-Fair	Good -Excellent
Gasoline Resistance	Poor-Fair	Good-Excellent	Good -Excellent	Good	Good-Excellent
Diesel Resistance	Good	Good	Good-Excellent	Good	Good-Excellent
Abrasion Resistance	Good -Excellent	Good	Good	Good-Excellent	Good- Excellent
Compression Set	Fair	Good	Good-Excellent	Good-Excellent	Fair

### Tube – DIN 11 850r2



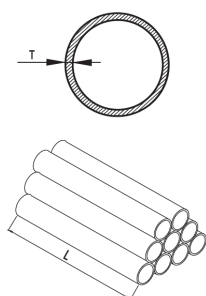
Size	A mm	B / mm /	C / mm /	Order No.
10	13	1.5	6 000	A00010100002XX
15	19	1.5	6 000	A00010150002XX
20	23	1.5	6 000	A00010200002XX
25	29	1.5	6 000	A00010250002XX
32	35	1.5	6 000	A00010320002XX
40	41	1.5	6 000	A00010400002XX
50	53	1.5	6 000	A00010500002XX
65	65	1.5	6 000	A00010650002XX
80	85	1.5	6 000	A00010800002XX
100	104	2.0	6 000	A00011000002XX
125	129	2.0	6 000	A00011250002XX
150	154	2.0	6 000	A00011500002XX
200	204	2.0	6 000	A00012000002XX

### Tube – DIN 11 850



Size	A mm	B / mm /	C / mm /	Order No.
110	12	1.5	6 000	A00110100002XX
115	18	1.5	6 000	A00110150002XX
120	22	1.5	6 000	A00110200002XX
125	28	1.5	6 000	A00110250002XX
132	34	1.5	6 000	A00110320002XX
140	40	1.5	6 000	A00110400002XX
150	52	1.5	6 000	A00110500002XX

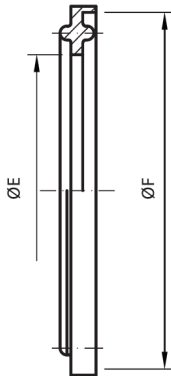
### Tube – DIN 11 850r1



Size	A mm	B / mm /	C / mm /	Order No.
10	12	1.0	6 000	A00210100002XX
15	18	1.0	6 000	A00210150002XX
20	23	1.0	6 000	A00210200002XX
25	28	1.0	6 000	A00210250002XX
32	34	1.0	6 000	A00210320002XX
40	40	1.0	6 000	A00210400002XX
50	52	1.0	6 000	A00210500002XX



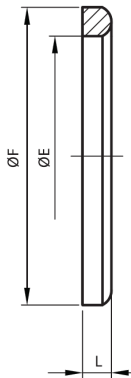
## Gasket - Clamp



Size	E / mm /	F / mm /	Order No.
10	10.2	34.0	C0701010000X00
15	16.2	34.0	C0701015000X00
20	20.2	34.0	C0701020000X00
25	26.2	50.5	C0701025000X00
32	32.2	50.5	C0701032000X00
40	38.2	50.5	C0701040000X00
50	50.2	64.0	C0701050000X00
65	66.2	91.0	C0701065000X00
80	81.2	106.0	C0701080000X00
100	100.2	119.0	C0701100000X00
125	125.2	115.0	C0701125000X00
150	150.2	183.0	C0701150000X00

Order: X > E=EPDM, T=Teflon, P=PTFE, N=NBR, S=Silicone

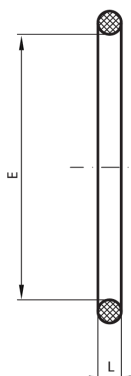
## O-ring



Size	E / mm /	F / mm /	L / mm /	Order No.
10	12.0	20.0	4.5	C2311010000X00
15	18.0	26.0	4.5	C2311015000X00
20	23.0	33.0	4.5	C2311020000X00
25	30.0	40.0	5.0	C2311025000X00
32	36.0	46.0	5.0	C2311032000X00
40	42.0	52.0	5.0	C2311040000X00
50	54.0	64.0	5.0	C2311050000X00
65	71.0	81.0	5.0	C2311065000X00
80	85.0	95.0	5.0	C2311080000X00
100	104.0	114.0	6.0	C2311100000X00
125	130.0	142.0	7.0	C2311125000X00
150	155.0	167.0	7.0	C2311150000X00

Order: X > E=EPDM, T=Teflon, P=PTFE, N=NBR, S=Silicone

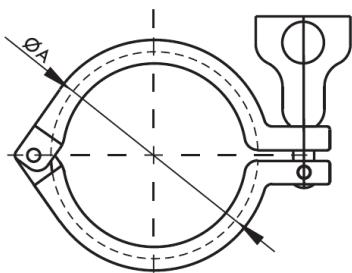
## Seal ring DIN 11 864-3



Size	E / mm /	L / mm /	Order No.
10	12.0	3.5	C2321010000X00
15	18.0	3.5	C2321015000X00
20	22.0	3.5	C2321020000X00
25	28.0	3.5	C2321025000X00
32	34.0	5.0	C2321032000X00
40	40.0	5.0	C2321040000X00
50	52.0	5.0	C2321050000X00
65	68.0	5.0	C2321065000X00
80	83.0	5.0	C2321080000X00
100	102.0	5.0	C2321100000X00
125	127.0	5.0	C2321125000X00
150	152.0	5.0	C2321150000X00

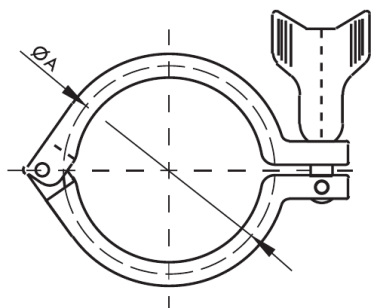
Order: X > E=EPDM, T=Teflon, P=PTFE, N=NBR, S=Silicone

### Clamp 13 MHH-0



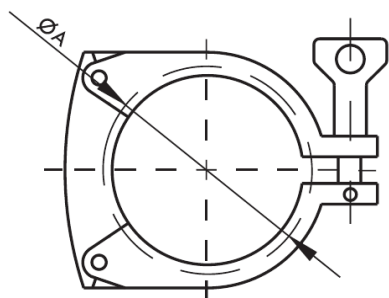
Size	A / mm /	Order No.
DN 15 - DN 20	28.6	A0800020000100
DN 25 - DN 40	53.9	A0800040000100
DN 50	67.4	A0800050000100
DN 65	80.9	A0800065000100
DN 80	94.4	A0800080000100
DN 100	122.4	A0800100000100
DN 150	170.4	A0800150000100
DN 200	221.2	A0800200000100
DN 250	272.0	A0800250000100

### Clamp 13 MHH-T



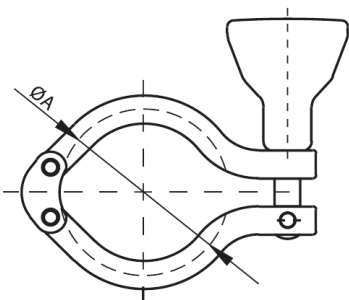
Size	A / mm /	Order No.
DN 15 - DN 20	28.6	A0900020000100
DN 25 - DN 40	53.9	A0900040000100
DN 50	67.4	A0900050000100
DN 65	80.9	A0900065000100
DN 80	94.4	A0900080000100
DN 100	122.4	A0900100000100
DN 150	170.4	A0900150000100
DN 200	221.2	A0900200000100
DN 250	272.0	A0900250000100

### Clamp 13 MHH3



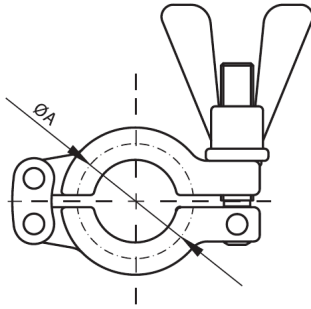
Size	A / mm /	Order No.
DN 25 - DN 40	53.9	A1100040000100
DN 50	67.4	A1100050000100
DN 65	80.9	A1100065000100
DN 80	94.4	A1100080000100
DN 100	122.4	A1100100000100

### Clamp TC - T



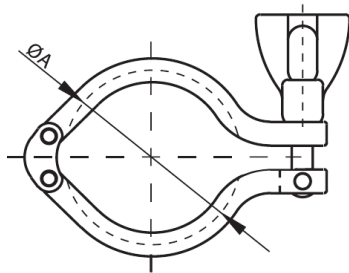
Size	A / mm /	Order No.
DN 25 - DN 40	53.9	A1100040000100
DN 50	67.4	A1100050000100
DN 65	80.9	A1100065000100
DN 80	94.4	A1100080000100
DN 100	122.4	A1100100000100

### Clamp TC - V



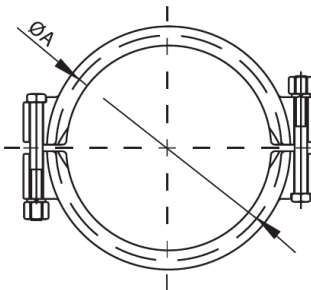
Size	A / mm /	Order No.
DN 15 - DN 20	28.0	A1110020000100
DN 25 - DN 40	53.9	A1110040000100
DN 50	67.4	A1110050000100
DN 65	80.9	A1110065000100
DN 80	94.4	A1110080000100
DN 100	122.0	A1110100000100

### Clamp TC - X



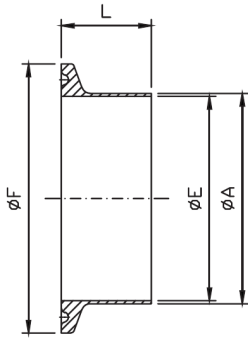
Size	A / mm /	Order No.
DN 25 - DN 40	53.9	A1120040000100
DN 50	67.4	A1120050000100
DN 65	80.9	A1120065000100
DN 80	94.4	A1120080000100
DN 100	122.4	A1120100000100

### Clamp High Pressure / 13MHP /



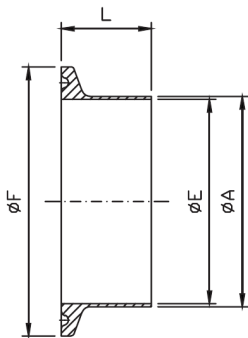
Size	A / mm /	Order No.
DN 15 - DN 20	28.6	A1200020000100
DN 25 - DN 40	52.0	A1200040000100
DN 50	65.5	A1200050000100
DN 65	79.0	A1200065000100
DN 80	92.5	A1200080000100
DN 100	158.8	A1200100000100
DN 150	170.4	A1200150000100

### Clamp Liner - Metric DIN 11 850-2 - mini



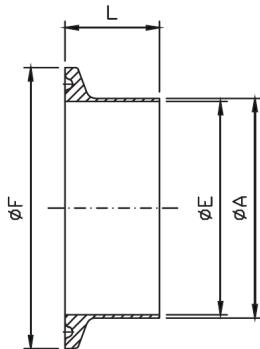
Size	A / mm /	E / mm /	F / mm /	L / mm /	Order No.
25	29	26	50.5	13.0	A132102500002XX
32	35	32	50.5	13.0	A132103200002XX
40	41	38	50.5	13.0	A132104000002XX
50	53	50	64.0	13.0	A132105000002XX
65	70	66	91.0	13.0	A132106500002XX
80	85	81	106.0	13.0	A132108000002XX
100	104	100	119.0	13.0	A132110000002XX

### Clamp Liner - Metric DIN 11 850 - short



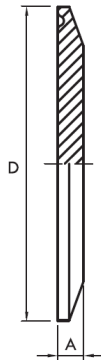
Size	A / mm /	E / mm /	F / mm /	L / mm /	Order No.
10	12	9	34.0	18.0	A131101000002XX
15	18	15	34.0	18.0	A131101500002XX
20	22	19	34.0	18.0	A131102000002XX
25	28	25	50.5	21.5	A131102500002XX
32	34	31	50.5	21.5	A131103200002XX
40	40	37	50.5	21.5	A131104000002XX
50	52	49	64.0	21.5	A131105000002XX

### Clamp Liner - Metric DIN 32676/11 850-2



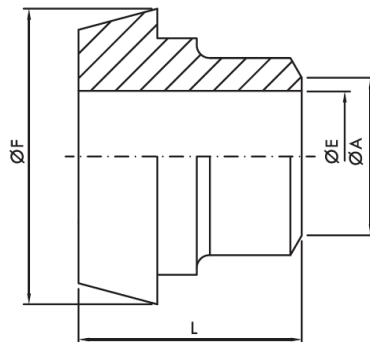
Size	A / mm /	E / mm /	F / mm /	L / mm /	Order No.
10	13	10	34.0	38.0	A130101000002XX
15	19	16	34.0	38.0	A130101500002XX
20	23	20	34.0	38.0	A130102000002XX
25	29	26	50.5	38.0	A130102500002XX
32	35	32	50.5	38.0	A130103200002XX
40	41	38	50.5	38.0	A130104000002XX
50	53	50	64.0	38.0	A130105000002XX
65	70	66	91.0	38.0	A130106500002XX
80	85	81	106.0	38.0	A130108000002XX
100	104	100	119.0	38.0	A130110000002XX

### Clamp Blind



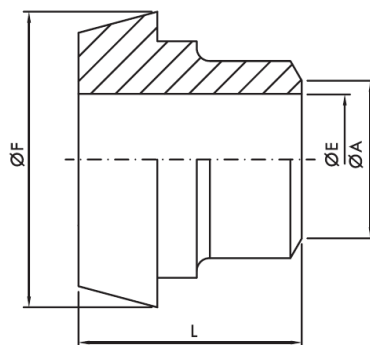
Size	A / mm /	B / mm /	Order No.
DN 10 – DN 20	4.7	25.0	A1400020000100
DN 25 – DN 40	6.4	50.4	A1400040000100
DN 50	6.4	63.9	A1400050000100
DN 65	6.4	77.5	A1400065000100
DN 80	6.4	90.9	A1400080000100
DN 100	7.9	119.0	A1400100000100
DN 150	11.1	166.9	A1400150000100

### Liner - Metric DIN 11 850r2



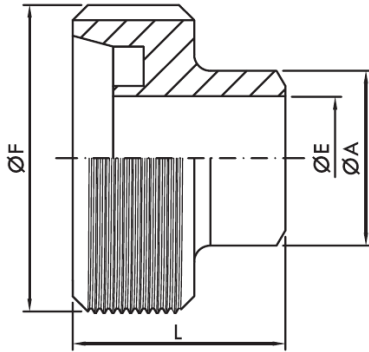
Size	A / mm /	E / mm /	F / mm /	L / mm /	Order No.
10	12.0	10.0	22.0	17.0	A16010100002XX
15	18.0	16.0	28.0	17.0	A16010150002XX
20	22.0	20.0	36.0	18.0	A16010200002XX
25	28.0	26.0	44.0	22.0	A16010250002XX
32	34.0	32.0	50.0	25.0	A16010320002XX
40	40.0	38.0	56.0	26.0	A16010400002XX
50	50.0	50.0	68.0	28.0	A16010500002XX
65	65.0	66.0	86.0	32.0	A16010650002XX
80	80.0	81.0	100.0	37.0	A16010800002XX
100	101.6	100.0	121.0	44.0	A16011000002XX
125	127.0	125.0	150.0	34.0	A16011250002XX
150	152.0	150.0	176.0	37.0	A16011500002XX

### Liner - Metric DIN 11 850



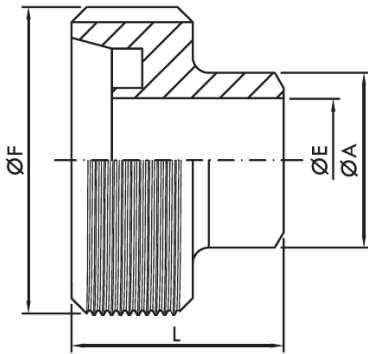
Size	A / mm /	E / mm /	F / mm /	L / mm /	Order No.
110	12.0	9.0	22.0	17.0	A16110100002XX
115	18.0	15.0	28.0	17.0	A16110150002XX
120	22.0	19.0	36.0	18.0	A16110200002XX
125	28.0	25.0	44.0	22.0	A16110250002XX
132	34.0	31.0	50.0	25.0	A16110320002XX
140	40.0	37.0	56.0	26.0	A16110400002XX
150	52.0	49.0	68.0	28.0	A16110500002XX

### Treaded Male - Metric DIN 11850r2



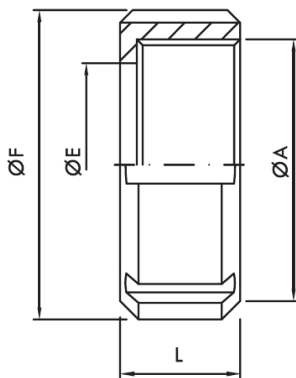
Size	A / mm /	E / mm /	F / mm /	L / mm /	Order No.
10	13.0	10.0	RD 28 x1/8"	21.0	A17010100002XX
15	29.0	16.0	RD 34 x1/8"	21.0	A17010150002XX
20	23.0	20.0	RD 44 x1/6"	24.0	A17010200002XX
25	29.0	26.0	RD 52 x1/6"	29.0	A17010250002XX
32	35.0	32.0	RD 58 x1/6"	32.0	A17010320002XX
40	41.0	38.0	RD 65 x1/6"	33.0	A17010400002XX
50	53.0	50.0	RD 78 x1/6"	35.0	A17010500002XX
65	70.0	66.0	RD 95 x1/6"	40.0	A17010650002XX
80	85.0	81.0	RD 110 x1/4"	45.0	A17010800002XX
100	104.0	100.0	RD 130 x1/4"	54.0	A17011000002XX
125	129.0	125.0	RD 160 x1/4"	46.0	A17011250002XX
150	154.0	150.0	RD 190 x1/4"	50.0	A17011500002XX

### Treaded Male - Metric DIN 11850



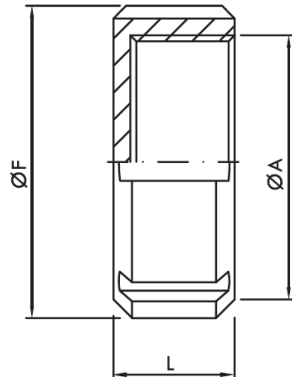
Size	A / mm /	E / mm /	F / mm /	L / mm /	Order No.
15	18.0	15.0	RD 34 x1/8"	21.0	A17110150002XX
20	22.0	19.0	RD 44 x1/6"	24.0	A17110200002XX
25	28.0	25.0	RD 52 x1/6"	29.0	A17110250002XX
32	34.0	31.0	RD 58 x1/6"	32.0	A17110320002XX
40	40.0	37.0	RD 65 x1/6"	33.0	A17110400002XX
50	52.0	49.0	RD 78 x1/6"	35.0	A17110500002XX

### Nut DIN 11850r2



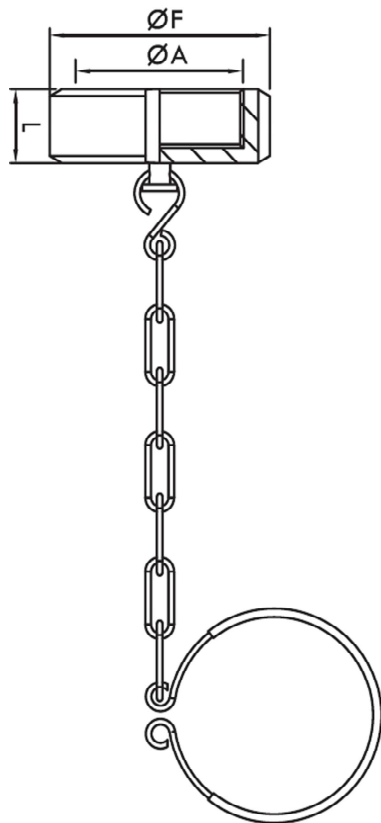
Size	A	E / mm /	F / mm /	L / mm /	Order No.
10	RD 28 x1/8"	19.0	38.0	18.0	A18010100002XX
15	RD 34 x1/8"	25.0	44.0	18.0	A18010150002XX
20	RD 44 x1/6"	31.0	54.0	20.0	A18010200002XX
25	RD 52 x1/6"	36.0	63.0	21.0	A18010250002XX
32	RD 58 x1/6"	42.5	70.0	21.0	A18010320002XX
40	RD 65 x1/6"	49.0	78.0	21.0	A18010400002XX
50	RD 78 x1/6"	62.0	92.0	22.0	A18010500002XX
65	RD 95 x1/6"	80.0	112.0	25.0	A18010650002XX
80	RD 110 x1/4"	94.0	127.0	29.0	A18010800002XX
100	RD 130 x1/4"	115.0	148.0	31.0	A18011000002XX
125	RD 160 x1/4"	138.0	178.0	35.0	A18011250002XX
150	RD 190 x1/4"	164.0	210.0	40.0	A18011500002XX

### Nut blind DIN 11850



Size	A	F / mm /	L / mm /	Order No.
10	RD 28 x1/8"	38.0	18.0	A19010100002XX
15	RD 34 x1/8"	44.0	18.0	A19010150002XX
20	RD 44 x1/6"	54.0	20.0	A19010200002XX
25	RD 52 x1/6"	63.0	21.0	A19010250002XX
32	RD 58 x1/6"	70.0	21.0	A19010320002XX
40	RD 65 x1/6"	78.0	21.0	A19010400002XX
50	RD 78 x1/6"	92.0	22.0	A19010500002XX
65	RD 95 x1/6"	112.0	25.0	A19010650002XX
80	RD 110 x1/4"	127.0	29.0	A19010800002XX
100	RD 130 x1/4"	148.0	31.0	A19011000002XX
125	RD 160 x1/4"	178.0	35.0	A19011250002XX
150	RD 190 x1/4"	210.0	40.0	A19011500002XX

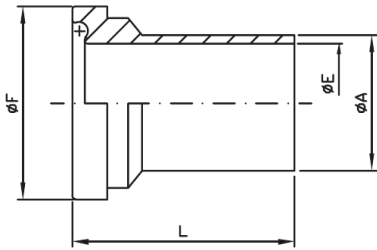
### Nut blind with Chain



Size	A	E / mm /	F / mm /	Order No.
10	RD 28 x1/8"	38.0	18.0	A19110100002XX
15	RD 34 x1/8"	44.0	18.0	A19110150002XX
20	RD 44 x1/6"	54.0	20.0	A19110200002XX
25	RD 52 x1/6"	63.0	21.0	A19110250002XX
32	RD 58 x1/6"	70.0	21.0	A19110320002XX
40	RD 65 x1/6"	78.0	21.0	A19110400002XX
50	RD 78 x1/6"	92.0	22.0	A19110500002XX
65	RD 95 x1/6"	112.0	25.0	A19110650002XX
80	RD 110 x1/4"	127.0	29.0	A19110800002XX
100	RD 130 x1/4"	148.0	31.0	A19111000002XX
125	RD 160 x1/4"	178.0	35.0	A19111250002XX
150	RD 190 x1/4"	210.0	40.0	A19111500002XX

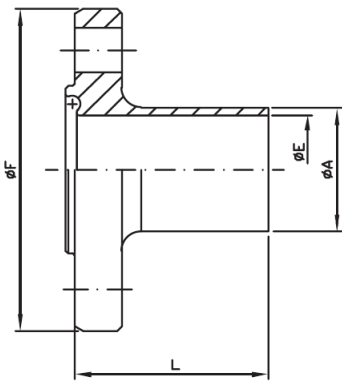
Chain length: 10 cm

### Liner DIN 11864r1 – GA-A



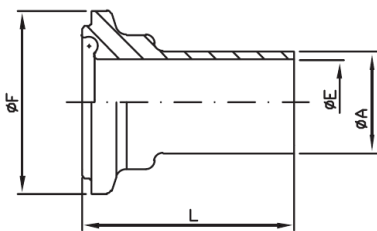
Size	A / mm /	E / mm /	F	L / mm /	Order No.
10	13.0	10.0	RD 28 x1/8"	41.0	A16210100002XX
15	19.0	16.0	RD 34 x1/8"	41.0	A16210150002XX
20	23.0	20.0	RD 44 x1/6"	43.0	A16210200002XX
25	29.0	26.0	RD 52 x1/6"	43.0	A16210250002XX
32	35.0	32.0	RD 58 x1/6"	48.0	A16210320002XX
40	41.0	38.0	RD 65 x1/6"	48.0	A16210400002XX
50	53.0	50.0	RD 78 x1/6"	48.0	A16210500002XX
65	70.0	66.0	RD 95 x1/6"	60.0	A16210650002XX
80	85.0	81.0	RD 110 x1/4"	64.0	A16210800002XX
100	104.0	100.0	RD 130 x1/4"	64.0	A16211000002XX

### Flange NF DIN 11864r2 – NF-A



Size	A / mm /	E / mm /	F / mm /	L / mm /	Order No.
10	13.0	10.0	54.0	41.5	A20010100002XX
15	19.0	16.0	59.0	41.5	A20010150002XX
20	23.0	20.0	64.0	41.5	A20010200002XX
25	29.0	26.0	70.0	41.5	A20010250002XX
32	35.0	32.0	76.0	46.5	A20010320002XX
40	41.0	38.0	82.0	46.5	A20010400002XX
50	53.0	50.0	94.0	46.5	A20010500002XX
65	70.0	66.0	113.0	55.5	A20010650002XX
80	85.0	81.0	133.0	59.5	A20010800002XX
100	104.0	100.0	159.0	59.5	A20011000002XX
125	129.0	125.0	183.0	61.5	A20010100002XX
150	154.0	150.0	213.0	61.5	A20010150002XX

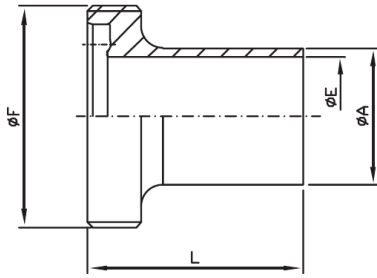
### Clamp Liner A DIN 11864r3 – NKS-A



Size	A / mm /	E / mm /	F / mm /	L / mm /	Order No.
10	13.0	10.0	34.0	39.5	A13610100002XX
15	19.0	16.0	34.0	39.5	A13610150002XX
20	23.0	20.0	50.5	39.5	A13610200002XX
25	29.0	26.0	50.5	40.5	A13610250002XX
32	35.0	32.0	50.5	45.5	A13610320002XX
40	41.0	38.0	64.0	45.5	A13610400002XX
50	53.0	50.0	77.0	46.0	A13610500002XX
65	70.0	66.0	91.0	58.0	A13610650002XX
80	85.0	81.0	106.0	60.0	A13610800002XX
100	104.0	100.0	130.0	61.5	A13611000002XX

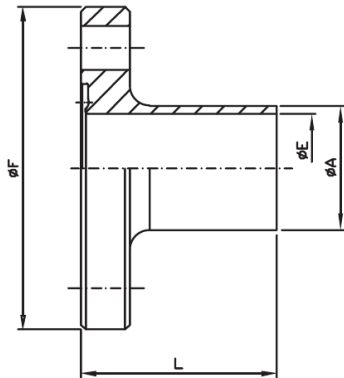


### Treaded Male DIN 11864r1 – BS-A



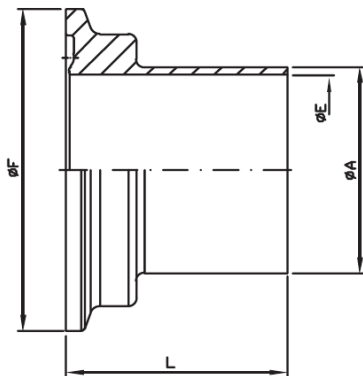
Size	A / mm /	E / mm /	F	L / mm /	Order No.
10	13.0	10.0	RD 28 x1/8"	41.0	A16310100002XX
15	19.0	16.0	RD 34 x1/8"	41.0	A16310150002XX
20	23.0	20.0	RD 44 x1/6"	43.0	A16310200002XX
25	29.0	26.0	RD 52 x1/6"	43.0	A16310250002XX
32	35.0	32.0	RD 58 x1/6"	48.0	A16310320002XX
40	41.0	38.0	RD 65 x1/6"	48.0	A16310400002XX
50	53.0	50.0	RD 78 x1/6"	48.0	A16310500002XX
65	70.0	66.0	RD 95 x1/6"	60.0	A16310650002XX
80	85.0	81.0	RD 110 x1/4"	64.0	A16310800002XX
100	104.0	100.0	RD 130 x1/4"	64.0	A16311000002XX

### Flange BF DIN 11864r2 – BF-A



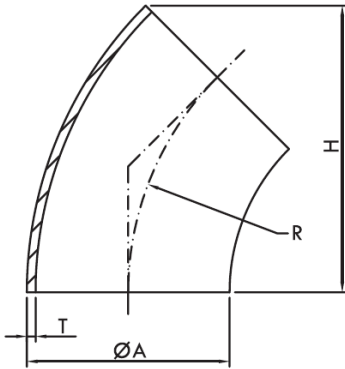
Size	A / mm /	E / mm /	F / mm /	L / mm /	Order No.
10	13.0	10.0	54.0	40.0	A20110100002XX
15	19.0	16.0	59.0	40.0	A20110150002XX
20	23.0	20.0	64.0	40.0	A20110200002XX
25	29.0	26.0	70.0	40.0	A20110250002XX
32	35.0	32.0	76.0	45.0	A20110320002XX
40	41.0	38.0	82.0	45.0	A20110400002XX
50	53.0	50.0	94.0	45.0	A20110500002XX
65	70.0	66.0	113.0	54.0	A20110650002XX
80	85.0	81.0	133.0	58.0	A20110800002XX
100	104.0	100.0	159.0	58.0	A20111000002XX
125	129.0	125.0	183.0	60.0	A20110100002XX
150	154.0	150.0	213.0	60.0	A20110150002XX

### Clamp Liner B DIN 11864r3 – BKS-B



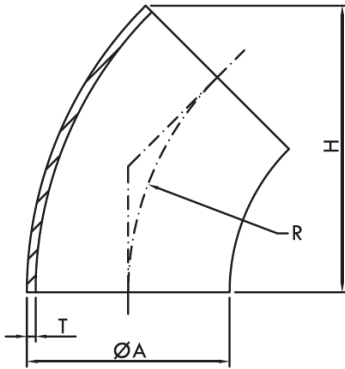
Size	A / mm /	E / mm /	F / mm /	L / mm /	Order No.
10	13.0	10.0	34.0	38.0	A13710100002XX
15	19.0	16.0	34.0	38.0	A13710150002XX
20	23.0	20.0	50.5	38.0	A13710200002XX
25	29.0	26.0	50.5	38.5	A13710250002XX
32	35.0	32.0	50.5	44.0	A13710320002XX
40	41.0	38.0	64.0	44.0	A13710400002XX
50	53.0	50.0	77.0	44.5	A13710500002XX
65	70.0	66.0	91.0	58.5	A13710650002XX
80	85.0	81.0	106.0	58.5	A13710800002XX
100	104.0	100.0	130.0	60.0	A13711000002XX

### Bend 45° Short – Welded DIN 11850



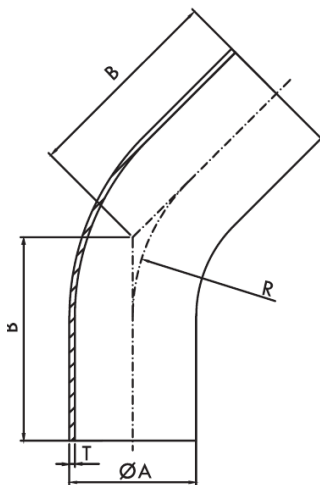
Size	A x T / mm /	H / mm /	R / mm /	Order No.
15	18.0 x 1.5	30.4	35.0	A02010150002XX
20	22.0 x 1.5	35.4	40.0	A02010200002XX
25	28.0 x 1.5	44.5	50.0	A02010250002XX
32	34.0 x 1.5	50.2	55.0	A02010320002XX
40	40.0 x 1.5	55.9	60.0	A02010400002XX
50	52.0 x 1.5	67.2	70.0	A02010500002XX

### Bend 45° Short – Welded DIN 11850r2



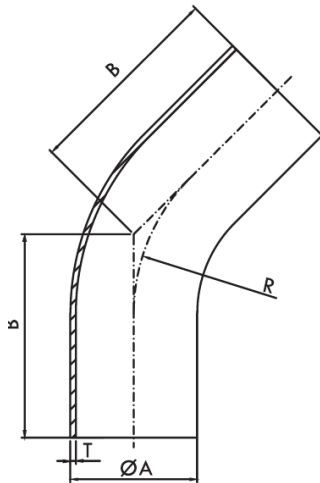
Size	A x T / mm /	H / mm /	R / mm /	Order No.
15	19.0 x 1.5	32.2	35.0	A02110150002XX
20	23.0 x 1.5	36.5	40.0	A02110200002XX
25	29.0 x 1.5	45.7	50.0	A02110250002XX
32	35.0 x 1.5	51.3	55.0	A02110320002XX
40	41.0 x 1.5	57.0	60.0	A02110400002XX
50	53.0 x 1.5	68.2	70.0	A02110500002XX
65	70.0 x 2.0	80.7	80.0	A02110650002XX
80	85.0 x 2.0	93.0	90.0	A02110800002XX
100	104.0 x 2.0	106.8	100.0	A02111000002XX
125	129.0 x 2.0	178.2	187.5	A02111250002XX
150	154.0 x 2.0	213.6	225.0	A02111500002XX
200	204.0 x 2.0	284.3	300.0	A02112000002XX

### Bend 45° Long – Welded DIN 11850r2



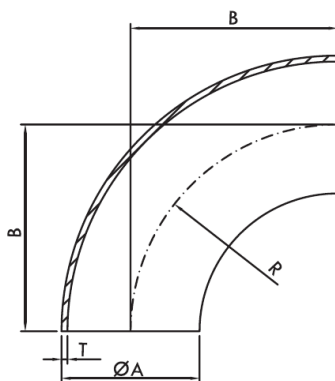
Size	A x T / mm /	H / mm /	R / mm /	Order No.
10	13.0 x 1.5	35.8	26.0	A02210100002XX
15	19.0 x 1.5	39.5	35.0	A02210150002XX
20	23.0 x 1.5	41.6	40.0	A02210200002XX
25	29.0 x 1.5	60.7	50.0	A02210250002XX
32	35.0 x 1.5	62.8	55.0	A02210320002XX
40	41.0 x 1.5	64.9	60.0	A02210400002XX
50	53.0 x 1.5	69.0	70.0	A02210500002XX
65	70.0 x 2.0	73.1	80.0	A02210650002XX
80	85.0 x 2.0	92.3	90.0	A02210800002XX
100	104.0 x 2.0	96.4	100.0	A02211000002XX
125	129.0 x 2.0	160.2	187.5	A02211250002XX
150	154.0 x 2.0	193.2	225.0	A02211500002XX
200	204.0 x 2.0	224.3	300.0	A02212000002XX

### Bend 45° – Welded DIN 11865



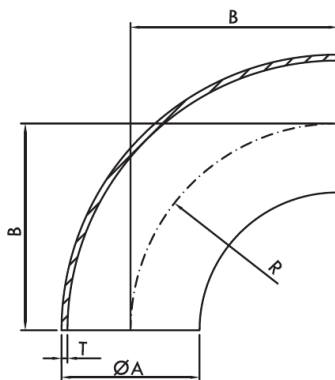
Size	A x T / mm /	B / mm /	R / mm /	Order No.
DN 6	8,0 x 1.0	33.3	20.0	A02310060002XX
DN 8	10.0 x 1.0	35.4	25.0	A02310080002XX
DN 10	13.0 x 1.5	35.8	26.0	A02310100002XX
DN 15	19.0 x 1.5	39.5	35.0	A02310150002XX
DN 20	23.0 x 1.5	41.6	40.0	A02310200002XX
DN 25	29.0 x 1.5	62.7	50.0	A02310250002XX
DN 32	35.0 x 1.5	62.8	55.0	A02310320002XX
DN 40	41.0 x 1.5	64.9	60.0	A02310400002XX
DN 50	53.0 x 1.5	69.0	70.0	A02310500002XX
DN 65	70.0 x 2.0	73.1	80.0	A02310650002XX
DN 80	85.0 x 2.0	92.3	90.0	A02310800002XX
DN 100	104.0 x 2.0	96.4	100.0	A02311000002XX
DN 125	129.0 x 2.0	160.2	187.0	A02311250002XX
DN 150	154.0 x 2.0	193.2	225.0	A02311500002XX
DN 200	204.0 x 2.0	224.3	300.0	A02312000002XX

### Bend 90° Short – Welded DIN 11850



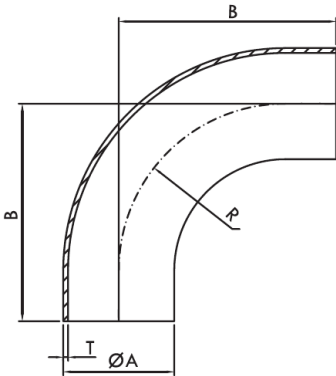
Size	A x T / mm /	H / mm /	R / mm /	Order No.
10	12.0 x 1.5	26.0	26.0	A01010100002XX
15	18.0 x 1.5	35.0	35.0	A01010150002XX
20	22.0 x 1.5	40.0	40.0	A01010200002XX
25	28.0 x 1.5	50.0	50.0	A01010250002XX
32	34.0 x 1.5	55.0	55.0	A01010320002XX
40	40.0 x 1.5	60.0	60.0	A01010400002XX
50	52.0 x 1.5	70.0	70.0	A01010500002XX

### Bend 90° Short – Welded DIN 11850r2



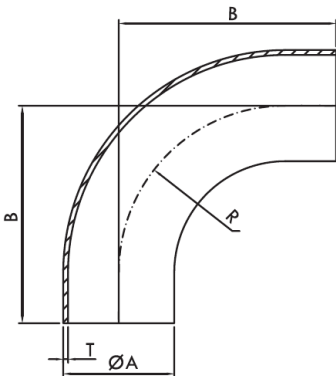
Size	A x T / mm /	H / mm /	R / mm /	Order No.
10	13.0 x 1.5	26.0	26.0	A01110150002XX
15	19.0 x 1.5	35.0	35.0	A01110200002XX
20	23.0 x 1.5	40.0	40.0	A01110250002XX
25	29.0 x 1.5	50.0	50.0	A01110320002XX
32	35.0 x 1.5	55.0	55.0	A01110400002XX
40	41.0 x 1.5	60.0	60.0	A01110500002XX
50	53.0 x 1.5	70.0	70.0	A01110650002XX
65	70.0 x 2.0	80.0	80.0	A01110800002XX
80	85.0 x 2.0	90.0	90.0	A01111000002XX
100	104.0 x 2.0	100.0	100.0	A01111250002XX
125	129.0 x 2.0	187.5	187.5	A01111500002XX
150	154.0 x 2.0	225.0	225.0	A01112000002XX
200	204.0 x 2.0	300.0	300.0	A01110150002XX

### Bend 90° Long – Welded DIN 11850r2



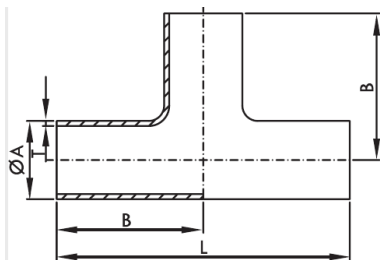
Size	A x T / mm /	H / mm /	R / mm /	Order No.
10	13.0 x 1.5	51.0	26.0	A01210150002XX
15	19.0 x 1.5	60.0	35.0	A01210200002XX
20	23.0 x 1.5	65.0	40.0	A01210250002XX
25	29.0 x 1.5	90.0	50.0	A01210320002XX
32	35.0 x 1.5	95.0	55.0	A01210400002XX
40	41.0 x 1.5	100.0	60.0	A01210500002XX
50	53.0 x 1.5	110.0	70.0	A01210650002XX
65	70.0 x 2.0	120.0	80.0	A01210800002XX
80	85.0 x 2.0	145.0	90.0	A01211000002XX
100	104.0 x 2.0	155.0	100.0	A01211250002XX
125	129.0 x 2.0	270.0	187.5	A01211500002XX
150	154.0 x 2.0	325.0	225.0	A01212000002XX
200	204.0 x 2.0	400.0	300.0	A01210150002XX

### Bend 90° – Welded DIN 11865



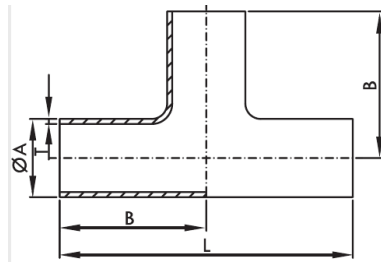
Size	A x T / mm /	B / mm /	R / mm /	Order No.
DN 6	8,0 x 1,0	45,0	20,0	A01310060002XX
DN 8	10,0 x 1,0	50,0	25,0	A01310080002XX
DN 10	13,0 x 1,5	51,0	26,0	A01310100002XX
DN 15	19,0 x 1,5	60,0	35,0	A01310150002XX
DN 20	23,0 x 1,5	65,0	40,0	A01310200002XX
DN 25	29,0 x 1,5	90,0	50,0	A01310250002XX
DN 32	35,0 x 1,5	95,0	55,0	A01310320002XX
DN 40	41,0 x 1,5	100,0	60,0	A01310400002XX
DN 50	53,0 x 1,5	110,0	70,0	A01310500002XX
DN 65	70,0 x 2,0	120,0	80,0	A01310650002XX
DN 80	85,0 x 2,0	145,0	90,0	A01310800002XX
DN 100	104,0 x 2,0	155,0	100,0	A01311000002XX
DN 125	129,0 x 2,0	270,0	187,0	A01311250002XX
DN 150	154,0 x 2,0	325,0	225,0	A01311500002XX
DN 200	204,0 x 2,0	400,0	300,0	A01312000002XX

### Tee - Welded DIN 11850r1



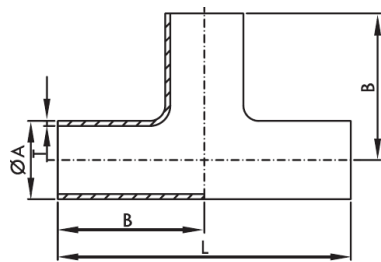
Size	A x T / mm /	B / mm /	L / mm /	Order No.
10	12.0 x 1.5	35.0	70.0	A03010100002XX
15	19.0 x 1.5	35.0	70.0	A03010150002XX
20	23.0 x 1.5	40.0	80.0	A03010200002XX
25	29.0 x 1.5	50.0	100.0	A03010250002XX
32	35.0 x 1.5	55.0	110.0	A03010350002XX
40	41.0 x 1.5	60.0	120.0	A03010400002XX
50	53.0 x 1.5	70.0	140.0	A03010500002XX

### Tee - Welded DIN 11850r2



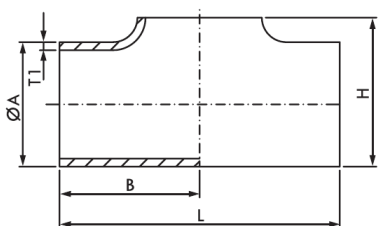
Size	A x T / mm /	B / mm /	L / mm /	Order No.
10	13.0 x 1.5	35.0	70.0	A03110100002XX
15	19.0 x 1.5	35.0	70.0	A03110150002XX
20	23.0 x 1.5	40.0	80.0	A03110200002XX
25	29.0 x 1.5	50.0	100.0	A03110250002XX
32	35.0 x 1.5	55.0	110.0	A03110320002XX
40	41.0 x 1.5	60.0	120.0	A03110400002XX
50	53.0 x 1.5	70.0	140.0	A03110500002XX
65	70.0 x 1.5	80.0	160.0	A03110650002XX
80	85.0 x 2.0	90.0	180.0	A03110800002XX
100	104.0 x 2.0	100.0	200.0	A03111000002XX
125	129.0 x 2.0	187.5	375.0	A03111250002XX
150	154.0 x 2.0	225.0	450.0	A03111500002XX
200	204.0 x 2.0	300.0	600.0	A03112000002XX

### Tee - Welded DIN 11855



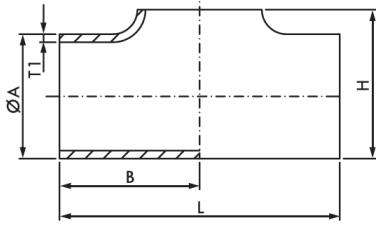
Size	A x T / mm /	B / mm /	L / mm /	Order No.
DN 6	8,0 x 1,0	30,0	60,0	A03210060002XX
DN 8	10,0 x 1,0	30,0	60,0	A03210080002XX
DN 10	13,0 x 1,5	35,0	70,0	A03210100002XX
DN 15	19,0 x 1,5	35,0	70,0	A03210150002XX
DN 20	23,0 x 1,5	40,0	80,0	A03210200002XX
DN 25	29,0 x 1,5	50,0	100,0	A03210250002XX
DN 32	35,0 x 1,5	55,0	110,0	A03210320002XX
DN 40	41,0 x 1,5	60,0	120,0	A03210400002XX
DN 50	53,0 x 1,5	70,0	140,0	A03210500002XX
DN 65	70,0 x 2,0	80,0	160,0	A03210650002XX
DN 80	85,0 x 2,0	90,0	180,0	A03210800002XX
DN 100	104,0 x 2,0	100,0	200,0	A03211000002XX
DN 125	129,0 x 2,0	187,5	375,0	A03211250002XX
DN 150	154,0 x 2,0	225,0	450,0	A03211500002XX
DN 200	204,0 x 2,0	300,0	600,0	A03212000002XX

### Tee Short - Welded DIN 11850r1



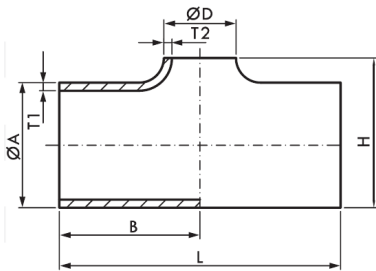
Size	A x T / mm /	H / mm /	L / mm /	Order No.
15	18.0 x 1.5	19.5	70.0	A03310150002XX
20	22.0 x 1.5	23.5	80.0	A03310200002XX
25	28.0 x 1.5	29.5	100.0	A03310250002XX
32	34.0 x 1.5	36.0	110.0	A03310320002XX
40	40.0 x 1.5	42.5	120.0	A03310400002XX
50	52.0 x 1.5	55.0	140.0	A03310500002XX

### Tee Short – Welded DIN 11865



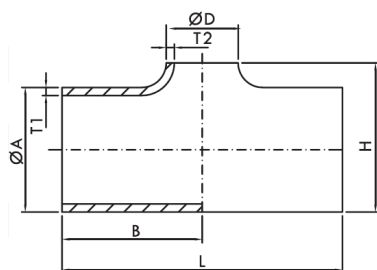
Size	A x T / mm /	H / mm /	L / mm /	Order No.
10	13.0 x 1.5	14.1	70.0	A03410100002XX
15	19.0 x 1.5	20.5	70.0	A03410150002XX
20	23.0 x 1.5	24.5	80.0	A03410200002XX
25	29.0 x 1.5	29.9	100.0	A03410250002XX
32	35.0 x 1.5	38.5	110.0	A03410320002XX
40	41.0 x 1.5	42.9	120.0	A03410400002XX
50	53.0 x 1.5	55.7	140.0	A03410500002XX
65	70.0 x 1.5	73.5	160.0	A03410650002XX
80	85.0 x 2.0	88.7	180.0	A03410800002XX
100	104.0 x 2.0	108.0	200.0	A03411000002XX
125	129.0 x 2.0	132.0	375.0	A03411250002XX
150	154.0 x 2.0	157.0	450.0	A03411500002XX
200	204.0 x 2.0	207.0	600.0	A03412000002XX

### Tee Reducing Short - Welded DIN 11850r1



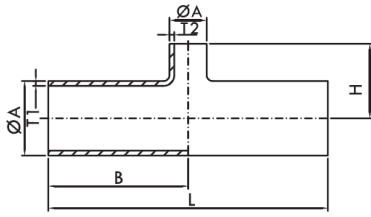
Size	A/DxT / mm /	H / mm /	L / mm /	Order No.
DN 20 x 15	22.0/18.0 x 1.5	24.0	80.0	A04010200152XX
DN 25 x 15	28.0/18.0 x 1.5	30.0	100.0	A04010250152XX
DN 25 x 20	28.0/22.0 x 1.5	30.0	100.0	A04010250202XX
DN 32 x 15	34.0/18.0 x 1.5	38.0	110.0	A04010320152XX
DN 32 x 20	34.0/22.0 x 1.5	38.0	110.0	A04010320202XX
DN 32 x 25	34.0/25.0 x 1.5	38.0	110.0	A04010320252XX
DN 40 x 20	40.0/22.0 x 1.5	44.0	120.0	A04010400202XX
DN 40 x 25	40.0/25.0 x 1.5	44.0	120.0	A04010400252XX
DN 40 x 32	40.0/34.0 x 1.5	44.0	140.0	A04010400322XX
DN 50 x 25	52.0/28.0 x 1.5	56.0	140.0	A04010500252XX
DN 50 x 32	52.0/34.0 x 1.5	56.0	140.0	A04010500322XX
DN 50 x 40	52.0/40.0 x 1.5	56.0	160.0	A04010500402XX
DN 65 x 25	70.0/28.0 x 1.5	72.0	160.0	A04010650252XX
DN 65 x 32	70.0/34.0 x 1.5	72.0	160.0	A04010650322XX
DN 65 x 40	70.0/40.0 x 2.0	72.0	160.0	A04010650402XX
DN 65 x 50	70.0/50.0 x 2.0	72.0	180.0	A04010650502XX
DN 80 x 25	85.0/28.0 x 2.0	89.0	180.0	A04010800252XX
DN 80 x 32	85.0/34.0 x 2.0	89.0	180.0	A04010800322XX
DN 80 x 40	85.0/40.0 x 2.0	89.0	180.0	A04010800402XX
DN 80 x 50	85.0/52.0 / 2.0	89.0	180.0	A04010800502XX
DN 80 x 65	85.0/70.0 x 2.0	89.0	200.0	A04010800652XX
DN 100 x 25	104.0/28.0 x 2.0	108.0	200.0	A04011000252XX
DN 100 x 32	104.0/34.0 x 2.0	109.0	200.0	A04011000322XX
DN 100 x 40	104.0/40.0 x 2.0	108.4	200.0	A04011000402XX
DN 100 x 50	104.0/52.0 x 2.0	108.0	200.0	A04011000502XX
DN 100 x 65	104.0/70.0 x 2.0	110.0	200.0	A04011000652XX
DN 100 x 80	104.0/85.0 x 2.0	109.5	200.0	A04011000802XX

## Tee Reducing Short - Welded DIN 11850r2



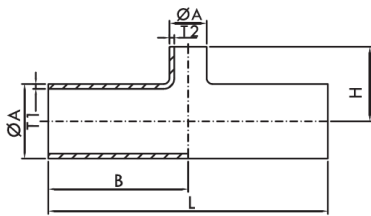
Size	A/DxT / mm /	H / mm /	L / mm /	Order No.
DN 20 x 10	23.0/13.0 x 1.5	24.5	80.0	A04110200102XX
DN 20 x 15	23.0/19.0 x 1.5	24.5	80.0	A04110200152XX
DN 25 x 10	29.0/13.0 x 1.5	29.9	100.0	A04110250102XX
DN 25 x 15	29.0/19.0 x 1.5	29.9	100.0	A04110250152XX
DN 25 x 20	29.0/23.0 x 1.5	29.9	100.0	A04110250202XX
DN 32 x 10	35.0/13.0 x 1.5	38.5	110.0	A04110320102XX
DN 32 x 15	35.0/19.0 x 1.5	38.5	110.0	A04110320152XX
DN 32 x 20	35.0/23.0 x 1.5	38.5	110.0	A04110320202XX
DN 32 x 25	35.0/29.0 x 1.5	38.5	110.0	A04110320252XX
DN 40 x 10	41.0/13.0 x 1.5	42.9	120.0	A04110400102XX
DN 40 x 15	41.0/19.0 x 1.5	42.9	120.0	A04110400152XX
DN 40 x 20	41.0/23.0 x 1.5	42.9	120.0	A04110400202XX
DN 40 x 25	41.0/29.0 x 1.5	42.9	120.0	A04110400252XX
DN 40 x 32	41.0/35.0 x 1.5	42.9	140.0	A04110400322XX
DN 50 x 10	53.0/13.0 x 1.5	55.7	140.0	A04110500102XX
DN 50 x 15	53.0/19.0 x 1.5	55.7	140.0	A04110500102XX
DN 50 x 20	53.0/23.0 x 1.5	55.7	140.0	A04110500202XX
DN 50 x 25	53.0/29.0 x 1.5	55.7	140.0	A04110500252XX
DN 50 x 32	53.0/35.0 x 1.5	55.7	140.0	A04110500322XX
DN 50 x 40	53.0/41.0 x 1.5	55.7	140.0	A04110500402XX
DN 65 x 10	70.0/13.0 x 1.5	73.5	160.0	A04110650102XX
DN 65 x 15	70.0/19.0 x 1.5	73.5	160.0	A04110650152XX
DN 65 x 20	70.0/23.0 x 1.5	73.5	160.0	A04110650202XX
DN 65 x 25	70.0/29.0 x 1.5	73.5	160.0	A04110650252XX
DN 65 x 32	70.0/35.0 x 1.5	73.5	160.0	A04110650322XX
DN 65 x 40	70.0/41.0 x 1.5	73.5	160.0	A04110650402XX
DN 65 x 50	70.0/53.0 x 1.5	73.5	160.0	A04110650502XX
DN 80 x 10	85.0/13.0 x 1.5	88.7	180.0	A04110800102XX
DN 80 x 15	85.0/19.0 x 1.5	88.7	180.0	A04110800152XX
DN 80 x 20	85.0/23.0 x 1.5	88.7	180.0	A04110800202XX
DN 80 x 25	85.0/29.0 x 1.5	88.7	180.0	A04110800252XX
DN 80 x 32	85.0/35.0 x 1.5	88.7	180.0	A04110800322XX
DN 80 x 40	85.0/41.0 x 1.5	88.7	180.0	A04110800402XX
DN 80 x 50	85.0/53.0 x 1.5	88.7	180.0	A04110800502XX
DN 80 x 65	85.0/70.0 x 2.0	88.7	200.0	A04110800652XX
DN 100 x 25	104.0/29.0 x 1.5	108.0	200.0	A04111000252XX
DN 100 x 32	104.0/35.0 x 1.5	108.0	200.0	A04111000322XX
DN 100 x 40	104.0/41.0 x 1.5	108.0	200.0	A04111000402XX
DN 100 x 50	104.0/53.0 x 1.5	108.0	200.0	A04111000502XX
DN 100 x 65	104.0/70.0 x 2.0	108.0	200.0	A04111000652XX
DN 100 x 80	104.0/85.0 x 2.0	108.0	200.0	A04111000802XX
DN 125 x 80	129.0/85.0 x 2.0	133.0	375.0	A04111250802XX
DN 125 x 100	129.0/104.0 x 2.0	133.0	375.0	A04111251002XX
DN 150 x 80	154.0/85.0 x 2.0	157.0	450.0	A04111500802XX
DN 150 x 100	154.0/104.0 x 2.0	157.0	450.0	A04111501002XX
DN 150 x 125	154.0/129.0 x 2.0	157.0	450.0	A04111501252XX

### Tee Reducing Short Outlet - Welded DIN 11850r1



Size	A/DxT / mm /	H / mm /	L / mm /	Order No.
DN 20 x 15	22.0/18.0 x 1.5	24.0	80.0	A04310200152XX
DN 25 x 15	28.0/18.0 x 1.5	30.0	100.0	A04310250152XX
DN 25 x 20	28.0/22.0 x 1.5	30.0	100.0	A04310250202XX
DN 32 x 15	34.0/18.0 x 1.5	38.0	110.0	A04310320152XX
DN 32 x 20	34.0/22.0 x 1.5	38.0	110.0	A04310320202XX
DN 32 x 25	34.0/25.0 x 1.5	38.0	110.0	A04310320252XX
DN 40 x 20	40.0/22.0 x 1.5	44.0	120.0	A04310400202XX
DN 40 x 25	40.0/25.0 x 1.5	44.0	120.0	A04310400252XX
DN 40 x 32	40.0/34.0 x 1.5	44.0	140.0	A04310400322XX
DN 50 x 25	52.0/28.0 x 1.5	56.0	140.0	A04310500252XX
DN 50 x 32	52.0/34.0 x 1.5	56.0	140.0	A04310500322XX
DN 50 x 40	52.0/40.0 x 1.5	56.0	160.0	A04310500402XX

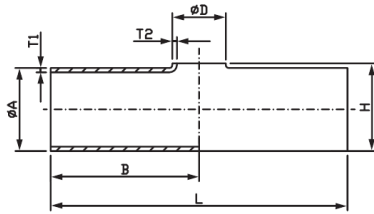
### Tee Reducing Short Outlet - Welded DIN 11850r2



Size	A/DxT / mm /	H / mm /	L / mm /	Order No.
DN 20 x 15	23.0/19.0 x 1.5	37.0	80.0	A04210200152XX
DN 25 x 15	29.0/19.0 x 1.5	40.0	100.0	A04210250152XX
DN 25 x 20	29.0/23.0 x 1.5	43.0	100.0	A04210250202XX
DN 32 x 15	35.0/19.0 x 1.5	43.0	110.0	A04210320152XX
DN 32 x 20	35.0/23.0 x 1.5	43.0	110.0	A04210320202XX
DN 32 x 25	35.0/29.0 x 1.5	46.0	110.0	A04210320252XX
DN 40 x 20	41.0/23.0 x 1.5	53.0	120.0	A04210400202XX
DN 40 x 25	41.0/29.0 x 1.5	49.0	120.0	A04210400252XX
DN 40 x 32	41.0/35.0 x 1.5	56.0	140.0	A04210400322XX
DN 50 x 25	53.0/29.0 x 1.5	58.0	140.0	A04210500252XX
DN 50 x 32	53.0/35.0 x 1.5	52.0	140.0	A04210500322XX
DN 50 x 40	53.0/41.0 x 1.5	64.0	140.0	A04210500402XX
DN 65 x 25	70.0/29.0 x 1.5	66.0	160.0	A04210650252XX
DN 65 x 32	70.0/35.0 x 1.5	70.5	160.0	A04210650322XX
DN 65 x 40	70.0/41.0 x 1.5	72.5	160.0	A04210650402XX
DN 65 x 50	70.0/53.0 x 1.5	78.5	160.0	A04210650502XX
DN 80 x 40	85.0/41.0 x 1.5	82.0	180.0	A04210800402XX
DN 80 x 50	85.0/53.0 x 1.5	86.0	180.0	A04210800502XX
DN 80 x 65	85.0/70.0 x 2.0	87.5	200.0	A04210800652XX
DN 100 x 50	104.0/53.0 x 1.5	95.5	200.0	A04211000502XX
DN 100 x 65	104.0/70.0 x 2.0	97.0	200.0	A04211000652XX
DN 100 x 80	104.0/85.0 x 2.0	99.5	200.0	A04211000802XX
DN 125 x 80	129.0/85.0 x 2.0	109.5	375.0	A04211250802XX
DN 125 x 100	129.0/104.0 x 2.0	112.0	375.0	A04211251002XX
DN 150 x 80	154.0/85.0 x 2.0	124.5	450.0	A04211500802XX
DN 150 x 100	154.0/104.0 x 2.0	125.0	450.0	A04211501002XX
DN 150 x 125	154.0/129.0 x 2.0	200.0	450.0	A04211501252XX

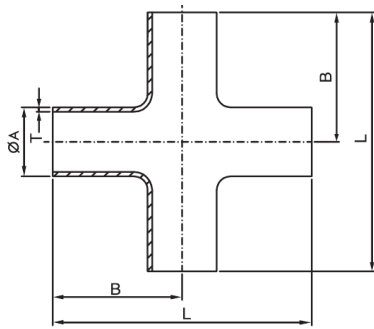


## Tee Reducing Sort Outlet - Welded DIN 11865



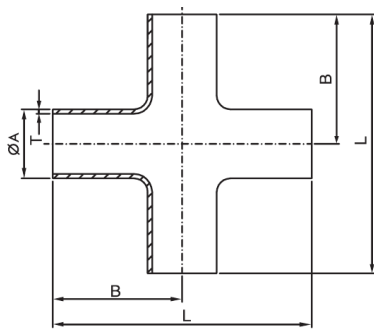
Size	A/DxT / mm /	C / mm /	L / mm /	Order No.
DN 8 x 6	10.0/8.0 x 1.0		60.0	A04410080062XX
DN 10 x 6	13.0/8.0 x 1.0		60.0	A04410100062XX
DN 10 x 8	13.0/10.0 x 1.0		60.0	A04410100082XX
DN 15 x 8	19.0/10.0 x 1.0	20.5	70.0	A04410150082XX
DN 15 x 10	19.0/13.0 x 1.5	20.5	70.0	A04410150102XX
DN 20 x 10	23.0/13.0 x 1.5	24.5	80.0	A04410200102XX
DN 20 x 15	23.0/19.0 x 1.5	24.5	80.0	A04410200152XX
DN 25 x 15	29.0/19.0 x 1.5	29.9	100.0	A04410250152XX
DN 25 x 20	29.0/23.0 x 1.5	29.9	100.0	A04410250202XX
DN 32 x 15	35.0/19.0 x 1.5	38.5	110.0	A04410320152XX
DN 32 x 20	35.0/23.0 x 1.5	38.5	110.0	A04410320202XX
DN 32 x 25	35.0/29.0 x 1.5	38.5	110.0	A04410320252XX
DN 40 x 20	41.0/23.0 x 1.5	42.9	120.0	A04410400202XX
DN 40 x 25	41.0/29.0 x 1.5	42.9	120.0	A04410400252XX
DN 40 x 32	41.0/35.0 x 1.5	42.9	140.0	A04410400322XX
DN 50 x 25	53.0/29.0 x 1.5	55.7	140.0	A04410500252XX
DN 50 x 32	53.0/35.0 x 1.5	55.7	140.0	A04410500322XX
DN 50 x 40	53.0/41.0 x 1.5	55.7	140.0	A04410500402XX
DN 65 x 32	70.0/35.0 x 1.5	73.5	160.0	A04410650322XX
DN 65 x 40	70.0/41.0 x 1.5	73.5	160.0	A04410650402XX
DN 65 x 50	70.0/53.0 x 1.5	73.5	160.0	A04410650502XX
DN 80 x 40	85.0/41.0 x 1.5	88.7	180.0	A04410800402XX
DN 80 x 50	85.0/53.0 x 1.5	88.7	180.0	A04410800502XX
DN 80 x 65	85.0/70.0 x 2.0	88.7	200.0	A04410800652XX
DN 100 x 50	104.0/53.0 x 1.5	108.0	200.0	A04411000502XX
DN 100 x 65	104.0/70.0 x 2.0	108.0	200.0	A04411000652XX
DN 100 x 80	104.0/85.0 x 2.0	108.0	200.0	A04411000802XX
DN 125 x 65	129.0/70.0 x 2.0	133.0	375.0	A04411250652XX
DN 125 x 80	129.0/85.0 x 2.0	133.0	375.0	A04411250802XX
DN 125 x 100	129.0/104.0 x 2.0	133.0	375.0	A04411251002XX
DN 150 x 80	154.0/85.0 x 2.0	157.0	450.0	A04411500802XX
DN 150 x 100	154.0/104.0 x 2.0	157.0	450.0	A04411501002XX
DN 150 x 125	154.0/129.0 x 2.0	157.0	450.0	A04411501252XX

### Cross - Welded DIN 11850r1 - strana 36



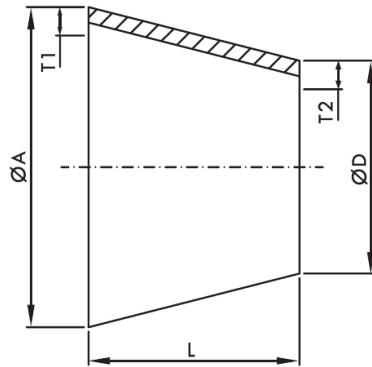
Size	A/DxT / mm /	B / mm /	L / mm /	Order No.
DN 25	28.0 x 1.5	50.0	100.0	A22010250062XX
DN 32	34.0 x 1.5	55.0	110.0	A22010320062XX
DN 40	40.0 x 1.5	60.0	120.0	A22010400082XX
DN 50	52.0 x 1.5	70.0	140.0	A22010500082XX

### Cross - Welded DIN 11850r2 - strana 36



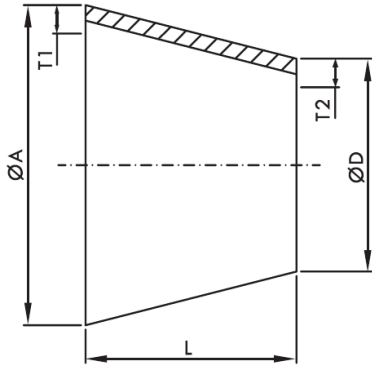
Size	A/DxT / mm /	B / mm /	L / mm /	Order No.
DN 25	29.0 x 1.5	50.0	100.0	A22110080062XX
DN 32	35.0 x 1.5	55.0	110.0	A22110100062XX
DN 40	41.0 x 1.5	60.0	120.0	A22010100082XX
DN 50	53.0 x 1.5	70.0	140.0	A22110150082XX
DN 65	70.0 x 2.0	80.0	160.0	A22110150102XX
DN 80	85.0 x 2.0	90.0	180.0	A22110200102XX
DN 100	104.0 x 2.0	100.0	200.0	A22110200152XX

## Concentric Reducer Short – Welded DIN 11850r1



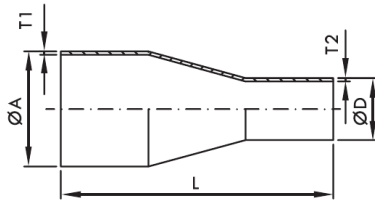
Size	AxT1 / mm /	AxT2 / mm /	B / mm /	Order No.
DN 15 x 10	18.0 x 1.5	12.0 x 1.5	11.0	A05010150102XX
DN 20 x 10	22.0 x 1.5	12.0 x 1.5	18.0	A05010200102XX
DN 20 x 15	22.0 x 1.5	18.0 x 1.5	7.0	A05010200152XX
DN 25 x 10	28.0 x 1.5	12.0 x 1.5	12.0	A05010250102XX
DN 25 x 15	28.0 x 1.5	18.0 x 1.5	18.0	A05010250152XX
DN 25 x 20	28.0 x 1.5	22.0 x 1.5	11.0	A05010250202XX
DN 32 x 20	34.0 x 1.5	22.0 x 1.5	22.0	A05010320202XX
DN 32 x 25	34.0 x 1.5	28.0 x 1.5	11.0	A05010320252XX
DN 40 x 15	40.0 x 1.5	18.0 x 1.5	40.0	A05010400152XX
DN 40 x 20	40.0 x 1.5	22.0 x 1.5	33.0	A05010400202XX
DN 40 x 25	40.0 x 1.5	28.0 x 1.5	22.0	A05010400252XX
DN 40 x 32	40.0 x 1.5	34.0 x 1.5	11.0	A05010400322XX
DN 50 x 25	52.0 x 1.5	28.0 x 1.5	44.0	A05010500252XX
DN 50 x 32	52.0 x 1.5	34.0 x 1.5	33.0	A05010500322XX
DN 50 x 40	52.0 x 1.5	40.0 x 1.5	22.0	A05010500402XX
DN 65 x 25	70.0 x 2.0	28.0 x 1.5	73.0	A05010650252XX
DN 65 x 32	70.0 x 2.0	34.0 x 1.5	62.0	A05010650322XX
DN 65 x 40	70.0 x 2.0	40.0 x 1.5	51.0	A05010650402XX
DN 65 x 50	70.0 x 2.0	52.0 x 1.5	29.0	A05010650502XX
DN 80 x 25	85.0 x 2.0	28.0 x 1.5	100.0	A05010800252XX
DN 80 x 32	85.0 x 2.0	34.0 x 1.5	89.0	A05010800322XX
DN 80 x 40	85.0 x 2.0	40.0 x 1.5	78.0	A05010800402XX
DN 80 x 50	85.0 x 2.0	52.0 x 1.5	56.0	A05010800502XX
DN 100 x 25	104.0 x 2.0	28.0 x 1.5	134.0	A05011000252XX
DN 100 x 32	104.0 x 2.0	34.0 x 1.5	123.0	A05011000322XX
DN 100 x 40	104.0 x 2.0	40.0 x 1.5	112.0	A05011000402XX
DN 100 x 50	104.0 x 2.0	52.0 x 1.5	90.0	A05011000502XX

## Concentric Reducer Short – Welded DIN 11850r2



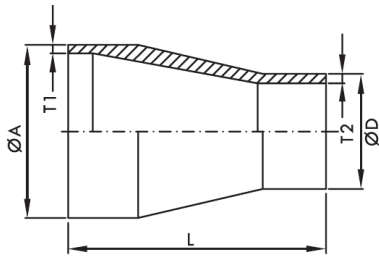
Size	AxT1 / mm /	AxT2 / mm /	B / mm /	Order No.
DN 15 x 10	19.0 x 1.5	13.0 x 1.5	11.0	A05110150102XX
DN 20 x 10	23.0 x 1.5	13.0 x 1.5	18.0	A05110200102XX
DN 20 x 15	23.0 x 1.5	19.0 x 1.5	7.0	A05110200152XX
DN 25 x 10	29.0 x 1.5	13.0 x 1.5	12.0	A05110250102XX
DN 25 x 15	29.0 x 1.5	19.0 x 1.5	18.0	A05110250152XX
DN 25 x 20	29.0 x 1.5	23.0 x 1.5	11.0	A05110250202XX
DN 32 x 20	35.0 x 1.5	23.0 x 1.5	22.0	A05110320202XX
DN 32 x 25	35.0 x 1.5	29.0 x 1.5	11.0	A05110320252XX
DN 40 x 15	41.0 x 1.5	19.0 x 1.5	40.0	A05110400152XX
DN 40 x 20	41.0 x 1.5	23.0 x 1.5	33.0	A05110400202XX
DN 40 x 25	41.0 x 1.5	29.0 x 1.5	22.0	A05110400252XX
DN 40 x 32	41.0 x 1.5	35.0 x 1.5	11.0	A05110400322XX
DN 50 x 25	53.0 x 1.5	29.0 x 1.5	44.0	A05110500252XX
DN 50 x 32	53.0 x 1.5	35.0 x 1.5	33.0	A05110500322XX
DN 50 x 40	53.0 x 1.5	41.0 x 1.5	22.0	A05110500402XX
DN 65 x 25	70.0 x 2.0	29.0 x 1.5	73.0	A05110650252XX
DN 65 x 32	70.0 x 2.0	35.0 x 1.5	62.0	A05110650322XX
DN 65 x 40	70.0 x 2.0	41.0 x 1.5	51.0	A05110650402XX
DN 65 x 50	70.0 x 2.0	53.0 x 1.5	29.0	A05110650502XX
DN 80 x 25	85.0 x 2.0	29.0 x 1.5	100.0	A05110800252XX
DN 80 x 32	85.0 x 2.0	35.0 x 1.5	89.0	A05110800322XX
DN 80 x 40	85.0 x 2.0	41.0 x 1.5	78.0	A05110800402XX
DN 80 x 50	85.0 x 2.0	53.0 x 1.5	56.0	A05110800502XX
DN 100 x 25	104.0 x 2.0	29.0 x 1.5	134.0	A05111000252XX
DN 100 x 32	104.0 x 2.0	35.0 x 1.5	123.0	A05111000322XX
DN 100 x 40	104.0 x 2.0	41.0 x 1.5	112.0	A05111000402XX
DN 100 x 50	104.0 x 2.0	53.0 x 1.5	90.0	A05111000502XX

## Concentric Reducer Long– Welded DIN 11850r2



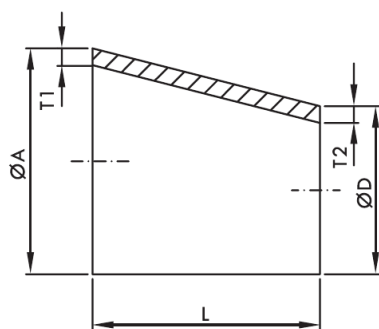
Size	AxT1 / mm /	AxT2 / mm /	L / mm /	Order No.
DN 20 x 15	23.0 x 1.5	19.0 x 1.5	84.0	A05210200152XX
DN 25 x 15	29.0 x 1.5	19.0 x 1.5	84.0	A05210250152XX
DN 25 x 20	29.0 x 1.5	23.0 x 1.5	84.0	A05210250202XX
DN 32 x 15	35.0 x 1.5	19.0 x 1.5	90.6	A05210320152XX
DN 32 x 20	35.0 x 1.5	23.0 x 1.5	84.0	A05210320202XX
DN 32 x 25	35.0 x 1.5	29.0 x 1.5	84.0	A05210320252XX
DN 40 x 15	41.0 x 1.5	19.0 x 1.5	102.0	A05210400152XX
DN 40 x 20	41.0 x 1.5	23.0 x 1.5	94.5	A05210400202XX
DN 40 x 25	41.0 x 1.5	29.0 x 1.5	84.0	A05210400252XX
DN 40 x 32	41.0 x 1.5	35.0 x 1.5	84.0	A05210400322XX
DN 50 x 15	53.0 x 1.5	19.0 x 1.5	125.0	A05210500152XX
DN 50 x 20	53.0 x 1.5	23.0 x 1.5	117.5	A05210500202XX
DN 50 x 25	53.0 x 1.5	29.0 x 1.5	106.0	A05210500252XX
DN 50 x 32	53.0 x 1.5	35.0 x 1.5	94.5	A05210500322XX
DN 50 x 40	53.0 x 1.5	41.0 x 1.5	84.0	A05210500402XX
DN 65 x 25	70.0 x 2.0	29.0 x 1.5	138.5	A05210650252XX
DN 65 x 32	70.0 x 2.0	35.0 x 1.5	127.0	A05210650322XX
DN 65 x 40	70.0 x 2.0	41.0 x 1.5	115.5	A05210650402XX
DN 65 x 50	70.0 x 2.0	53.0 x 1.5	92.0	A05210650502XX
DN 80 x 32	85.0 x 2.0	35.0 x 1.5	156.0	A05210800322XX
DN 80 x 40	85.0 x 2.0	41.0 x 1.5	144.5	A05210800402XX
DN 80 x 50	85.0 x 2.0	53.0 x 1.5	121.5	A05210800502XX
DN 80 x 65	85.0 x 2.0	70.0 x 1.5	88.0	A05210800652XX
DN 100 x 50	104.0 x 2.0	29.0 x 1.5	158.0	A05211000252XX
DN 100 x 65	104.0 x 2.0	35.0 x 1.5	125.0	A05211000322XX
DN 100 x 80	104.0 x 2.0	41.0 x 1.5	95.0	A05211000402XX
DN 150 x 50	154.0 x 2.0	53.0 x 1.5	184.0	A05211000502XX

## Concentric Reducer - Welded DIN 11865



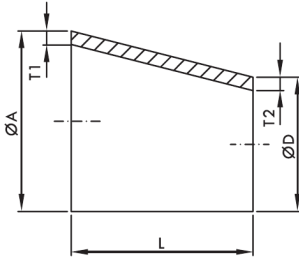
Size	AxT1 / mm /	AxT2 / mm /	L / mm /	Order No.
DN 8 x 6	10.0 x 1.0	8.0 x 1.0	38.0	A05310080062XX
DN 10 x 6	13.0 x 1.5	8.0 x 1.0	38.0	A05310100062XX
DN 10 x 8	13.0 x 1.5	10.0 x 1.0	38.0	A05310100082XX
DN 15 x 8	19.0 x 1.0	10.0 x 1.0	60.0	A05310150082XX
DN 15 x 10	19.0 x 1.5	13.0 x 1.5	60.0	A05310150102XX
DN 20 x 10	23.0 x 1.5	13.0 x 1.5	60.0	A05310200102XX
DN 20 x 15	23.0 x 1.5	19.0 x 1.5	60.0	A05310200152XX
DN 25 x 15	29.0 x 1.5	19.0 x 1.5	70.0	A05310250152XX
DN 25 x 20	29.0 x 1.5	23.0 x 1.5	70.0	A05310250202XX
DN 32 x 20	35.0 x 1.5	23.0 x 1.5	80.0	A05310320202XX
DN 32 x 25	35.0 x 1.5	29.0 x 1.5	80.0	A05310320252XX
DN 40 x 20	41.0 x 1.5	23.0 x 1.5	90.0	A05310400202XX
DN 40 x 25	41.0 x 1.5	29.0 x 1.5	90.0	A05310400252XX
DN 40 x 32	41.0 x 1.5	35.0 x 1.5	90.0	A05310400322XX
DN 50 x 25	53.0 x 1.5	29.0 x 1.5	90.0	A05310500252XX
DN 50 x 32	53.0 x 1.5	35.0 x 1.5	90.0	A05310500322XX
DN 50 x 40	53.0 x 1.5	41.0 x 1.5	90.0	A05310500402XX
DN 65 x 40	70.0 x 2.0	41.0 x 1.5	110.0	A05310650402XX
DN 65 x 50	70.0 x 2.0	53.0 x 1.5	110.0	A05310650502XX
DN 80 x 40	85.0 x 2.0	41.0 x 1.5	110.0	A05310800402XX
DN 80 x 50	85.0 x 2.0	53.0 x 1.5	110.0	A05310800502XX
DN 80 x 65	85.0 x 2.0	70.0 x 2.0	110.0	A05310800652XX
DN 100 x 65	104.0 x 2.0	70.0 x 2.0	135.0	A05311000652XX
DN 100 x 80	104.0 x 2.0	85.0 x 2.0	135.0	A05311000802XX
DN 125 x 80	129.0 x 2.0	85.0 x 2.0	150.0	A05311250802XX
DN 125 x 100	129.0 x 2.0	104.0 x 2.0	150.0	A05311251002XX
DN 150 x 100	154.0 x 2.0	104.0 x 2.0	170.0	A05311501002XX
DN 150 x 125	154.0 x 2.0	129.0 x 2.0	170.0	A05311501252XX
DN 200 x 125	204.0 x 2.0	129.0 x 2.0	230.0	A05312001252XX
DN 200 x 150	204.0 x 2.0	154.0 x 2.0	230.0	A05312001502XX

## Eccentric Reducer Short – Welded DIN 11850r1



Size	AxT1 / mm /	AxT2 / mm /	B / mm /	Order No.
DN 20 x 15	22.0 x 1.5	18.0 x 1.5	11.0	A06010200152XX
DN 25 x 10	28.0 x 1.5	12.0 x 1.5	44.0	A06010250102XX
DN 25 x 15	28.0 x 1.5	18.0 x 1.5	27.5	A06010250152XX
DN 25 x 20	28.0 x 1.5	22.0 x 1.5	16.5	A06010250202XX
DN 32 x 20	34.0 x 1.5	22.0 x 1.5	33.0	A06010320202XX
DN 32 x 25	34.0 x 1.5	28.0 x 1.5	16.5	A06010320252XX
DN 40 x 15	40.0 x 1.5	18.0 x 1.5	60.5	A06010400152XX
DN 40 x 20	40.0 x 1.5	22.0 x 1.5	49.5	A06010400202XX
DN 40 x 25	40.0 x 1.5	28.0 x 1.5	33.0	A06010400252XX
DN 40 x 32	40.0 x 1.5	34.0 x 1.5	16.5	A06010400322XX
DN 50 x 25	52.0 x 1.5	28.0 x 1.5	66.0	A06010500252XX
DN 50 x 32	52.0 x 1.5	34.0 x 1.5	49.5	A06010500322XX
DN 50 x 40	52.0 x 1.5	40.0 x 1.5	33.0	A06010500402XX
DN 65 x 25	70.0 x 2.0	28.0 x 1.5	73.0	A06010650252XX
DN 65 x 32	70.0 x 2.0	34.0 x 1.5	62.0	A06010650322XX
DN 65 x 40	70.0 x 2.0	40.0 x 1.5	77.0	A06010650402XX
DN 65 x 50	70.0 x 2.0	52.0 x 1.5	44.0	A06010650502XX
DN 80 x 25	85.0 x 2.0	28.0 x 1.5	100.0	A06010800252XX
DN 80 x 32	85.0 x 2.0	34.0 x 1.5	89.0	A06010800322XX
DN 80 x 40	85.0 x 2.0	40.0 x 1.5	78.0	A06010800402XX
DN 80 x 50	85.0 x 2.0	52.0 x 1.5	8.50	A06010800502XX
DN 100 x 25	104.0 x 2.0	28.0 x 1.5	134.0	A06011000252XX
DN 100 x 32	104.0 x 2.0	34.0 x 1.5	123.0	A06011000322XX
DN 100 x 40	104.0 x 2.0	40.0 x 1.5	112.0	A06011000402XX
DN 100 x 50	104.0 x 2.0	52.0 x 1.5	137.5	A06011000502XX

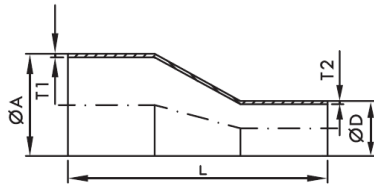
## Eccentric Reducer Short – Welded DIN 11850r2



Size	AxT1 / mm /	AxT2 / mm /	B / mm /	Order No.
DN 15 x 10	19.0 x 1.5	13.0 x 1.5	16.5	A06110150102XX
DN 20 x 10	23.0 x 1.5	13.0 x 1.5	27.5	A06110200102XX
DN 20 x 15	23.0 x 1.5	19.0 x 1.5	11.0	A06110200152XX
DN 25 x 10	29.0 x 1.5	13.0 x 1.5	44.0	A06110250102XX
DN 25 x 15	29.0 x 1.5	19.0 x 1.5	27.5	A06110250152XX
DN 25 x 20	29.0 x 1.5	23.0 x 1.5	16.5	A06110250202XX
DN 32 x 20	35.0 x 1.5	23.0 x 1.5	33.0	A06110320202XX
DN 32 x 25	35.0 x 1.5	29.0 x 1.5	16.5	A06110320252XX
DN 40 x 15	41.0 x 1.5	19.0 x 1.5	60.5	A06110400152XX
DN 40 x 20	41.0 x 1.5	23.0 x 1.5	49.5	A06110400202XX
DN 40 x 25	41.0 x 1.5	29.0 x 1.5	33.0	A06110400252XX
DN 40 x 32	41.0 x 1.5	35.0 x 1.5	16.5	A06110400322XX
DN 50 x 25	53.0 x 1.5	29.0 x 1.5	66.0	A06110500252XX
DN 50 x 32	53.0 x 1.5	35.0 x 1.5	49.5	A06110500322XX
DN 50 x 40	53.0 x 1.5	41.0 x 1.5	33.0	A06110500402XX
DN 65 x 25	70.0 x 2.0	29.0 x 1.5	110.0	A06110650252XX
DN 65 x 32	70.0 x 2.0	35.0 x 1.5	93.5	A06110650322XX
DN 65 x 40	70.0 x 2.0	41.0 x 1.5	77.0	A06110650402XX
DN 65 x 50	70.0 x 2.0	53.0 x 1.5	44.0	A06110650502XX
DN 80 x 40	85.0 x 2.0	41.0 x 1.5	118.0	A06110800402XX
DN 80 x 50	85.0 x 2.0	53.0 x 1.5	85.0	A06110800502XX
DN 80 x 65	85.0 x 2.0	70.0 x 2.0	41.2	A06110800652XX
DN 100 x 25	104.0 x 2.0	29.0 x 1.5	770.5	A06111000252XX
DN 100 x 40	104.0 x 2.0	41.0 x 1.5	137.5	A06111000402XX
DN 100 x 50	104.0 x 2.0	53.0 x 1.5	93.5	A06111000502XX

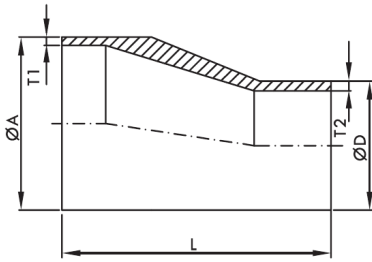


## Eccentric Reducer Long–Welded DIN 11850r2



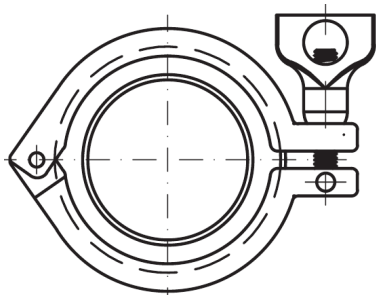
Size	AxT1 / mm /	AxT2 / mm /	L / mm /	Order No.
DN 20 x 15	23.0 x 1.5	19.0 x 1.5	71.0	A06210200152XX
DN 25 x 15	29.0 x 1.5	19.0 x 1.5	87.5	A06210250152XX
DN 25 x 20	29.0 x 1.5	23.0 x 1.5	76.5	A06210250202XX
DN 32 x 20	35.0 x 1.5	23.0 x 1.5	93.0	A06210320202XX
DN 32 x 25	35.0 x 1.5	29.0 x 1.5	76.5	A06210320252XX
DN 40 x 20	41.0 x 1.5	23.0 x 1.5	109.5	A06210400202XX
DN 40 x 25	41.0 x 1.5	29.0 x 1.5	93.0	A06210400252XX
DN 40 x 32	41.0 x 1.5	35.0 x 1.5	76.5	A06210400322XX
DN 50 x 25	53.0 x 1.5	29.0 x 1.5	126.0	A06210500252XX
DN 50 x 32	53.0 x 1.5	35.0 x 1.5	109.5	A06210500322XX
DN 50 x 40	53.0 x 1.5	41.0 x 1.5	93.0	A06210500402XX
DN 65 x 32	70.0 x 2.0	35.0 x 1.5	153.5	A06210650322XX
DN 65 x 40	70.0 x 2.0	41.0 x 1.5	137.0	A06210650402XX
DN 65 x 50	70.0 x 2.0	53.0 x 1.5	104.0	A06210650502XX
DN 80 x 50	85.0 x 2.0	53.0 x 1.5	145.0	A06210800502XX
DN 80 x 65	85.0 x 2.0	70.0 x 1.5	101.2	A06210800652XX
DN 100 x 65	104.0 x 2.0	35.0 x 1.5	153.5	A06211000322XX
DN 100 x 80	104.0 x 2.0	41.0 x 1.5	112.5	A06211000402XX
DN 150 x 50	154.0 x 2.0	53.0 x 1.5	184.0	A06211000502XX

## Eccentric Reducer - Welded DIN 11865



Size	AxT1 / mm /	AxT2 / mm /	L / mm /	Order No.
DN 8 x 6	10.0 x 1.0	8.0 x 1.0	38.0	A06310080062XX
DN 10 x 6	13.0 x 1.5	8.0 x 1.0	38.0	A06310100062XX
DN 10 x 8	13.0 x 1.5	10.0 x 1.0	38.0	A06310100082XX
DN 15 x 8	19.0 x 1.5	10.0 x 1.0	60.0	A06310150082XX
DN 15 x 10	19.0 x 1.5	13.0 x 1.5	60.0	A06310150102XX
DN 20 x 10	23.0 x 1.5	13.0 x 1.5	60.0	A06310200102XX
DN 20 x 15	23.0 x 1.5	19.0 x 1.5	60.0	A06310200152XX
DN 25 x 15	29.0 x 1.5	19.0 x 1.5	70.0	A06310250152XX
DN 25 x 20	29.0 x 1.5	23.0 x 1.5	70.0	A06310250202XX
DN 32 x 20	35.0 x 1.5	23.0 x 1.5	80.0	A06310320202XX
DN 32 x 25	35.0 x 1.5	29.0 x 1.5	80.0	A06310320252XX
DN 40 x 20	41.0 x 1.5	23.0 x 1.5	90.0	A06310400202XX
DN 40 x 25	41.0 x 1.5	29.0 x 1.5	90.0	A06310400252XX
DN 40 x 32	41.0 x 1.5	35.0 x 1.5	90.0	A06310400322XX
DN 50 x 25	53.0 x 1.5	29.0 x 1.5	90.0	A06310500252XX
DN 50 x 32	53.0 x 1.5	35.0 x 1.5	90.0	A06310500322XX
DN 50 x 40	53.0 x 1.5	41.0 x 1.5	90.0	A06310500402XX
DN 65 x 40	70.0 x 2.0	41.0 x 1.5	110.0	A06310650402XX
DN 65 x 50	70.0 x 2.0	53.0 x 1.5	110.0	A06310650502XX
DN 80 x 40	85.0 x 2.0	41.0 x 1.5	110.0	A06310800402XX
DN 80 x 50	85.0 x 2.0	53.0 x 1.5	110.0	A06310800502XX
DN 80 x 65	85.0 x 2.0	70.0 x 2.0	110.0	A06310800652XX
DN 100 x 65	104.0 x 2.0	70.0 x 2.0	135.0	A06311000652XX
DN 100 x 80	104.0 x 2.0	85.0 x 2.0	135.0	A06311000802XX
DN 125 x 80	129.0 x 2.0	85.0 x 2.0	150.0	A06311250802XX
DN 125 x 100	129.0 x 2.0	104.0 x 2.0	150.0	A06311251002XX
DN 150 x 100	154.0 x 2.0	104.0 x 2.0	170.0	A06311501002XX
DN 150 x 125	154.0 x 2.0	129.0 x 2.0	170.0	A06311501252XX
DN 200 x 125	204.0 x 2.0	129.0 x 2.0	230.0	A06312001252XX
DN 200 x 150	204.0 x 2.0	154.0 x 2.0	230.0	A06312001502XX

## Clamp Connection DIN 32 676 / 2x Clamp Liner + Gasket – Clamp + Clamp 13MHH-0/



Size	OD / mm /	L / mm /	Order No.
10	13.0 x 1.5	58.9	A24010100002XX
15	19.0 x 1.5	58.9	A24010150002XX
20	23.0 x 1.5	58.9	A24010200002XX
25	29.0 x 1.5	73.7	A24010250002XX
32	35.0 x 1.5	73.7	A24010320002XX
40	41.0 x 1.5	73.7	A24010400002XX
50	53.0 x 1.5	73.7	A24010500002XX
65	70.0 x 2.0	97.7	A24010650002XX
80	85.0 x 2.0	97.7	A24010800002XX
100	104.0 x 2.0	97.7	A24011000002XX
125	129.0 x 2.0	133.7	A24011250002XX
150	154.0 x 2.0	133.7	A24011500002XX





**NOXTING s.r.o.**

Info@noxting.com

www.noxting.com

